

LIVING & CO[®]

Steam Iron 2200W



INSTRUCTION MANUAL
Model CL-SI603

**PLEASE READ AND SAVE THESE
INSTRUCTIONS FOR FUTURE REFERENCE**

AFTER SALES SUPPORT

☎ (NZ) 0800 422 274

Contents

Introduction / Technical Data	2
Product Description	2
General Safety Instructions	2-3
Operation	4-6
Storage	6
Useful Advice	6
Warranty	7

Introduction

Before use, please read these instructions carefully and keep them in a safe place for future reference. When passing on the appliance to a third person, make sure to include these instructions for use.

This appliance is intended for ironing textiles for private use only. It is not suitable for commercial use.

Only use this appliance for its intended use as described in this instruction manual. In order to avoid any risks or hazards possibly involved in the use of electric appliances, closely follow the safety instructions given in this manual.

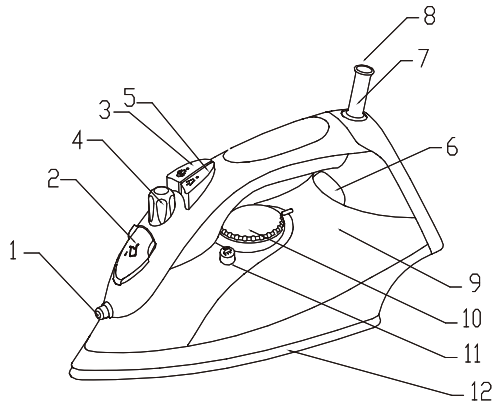
Technical Data

Voltage 220V-240V ~ 50/60 Hz

Output 1800-2200 W

Product Description

- 1 Spray nozzle
- 2 Water inlet
- 3 Power steam button
- 4 Steam control
- 5 Spray button
- 6 Temperature pilot light
- 7 Supply cord guard
- 8 Power supply cord
- 9 Water tank
- 10 Temperature control
- 11 Self-clean button
- 12 Soleplate



General Safety Instructions

- Manufacturer takes no responsibility for any damage caused by incorrect use.
- Incorrect or improper use can damage the appliance and cause injuries to the user.
- Before connecting this appliance to the mains, make sure your local voltage matches the technical data of the appliance. Otherwise the appliance may overheat and get damaged.
- **Caution! Danger of electric shock!**
 - Never put the appliance, cord or plug into water or any other liquid.
 - Do not use the appliance near a sink or wash basin.
 - Do not use the appliance with wet hands.
 - Do not use the appliance outdoors.
- **An electric appliance is not a toy!**

General Safety Instructions (continued)

- Never leave the appliance unattended during use.
- This appliance is not intended for use by persons (including children) with reduced physical, sensory or mental capabilities, or lack of experience and knowledge, unless they have been given supervision or instruction concerning use of the appliance by a person responsible for their safety.
- Children should be supervised to ensure that they do not play with the appliance.
- **Always unplug your appliance** when it is not in use, and before cleaning.
 - Always pull the plug – not the cord.
 - Keep the appliance and the cord well away from any hot surfaces to avoid any damage to the appliance.
 - Make sure the cord may not inadvertently be pulled or cause anyone to trip when in use. Do not allow the cord to hang over sharp edges.
 - Do not bend the cord or wind it round the appliance.
- Do not use the appliance,
 - if the cord is damaged.
 - in case of malfunction.
- If the supply cord is damaged, it must be replaced by the manufacturer, its service agent or similarly qualified persons in order to avoid a hazard.
- Only use accessories evaluated for use with this appliance.
- Never attempt to drive any objects into the appliance.
- Never attempt to open the housing yourself!
- The iron must be used and rested on a flat, stable surface.
- Only fill with water, no other liquids or additives!
- High temperatures develop at the soleplate (12) of the steam iron which can cause serious burns. Therefore, always hold the appliance by its handle and warn others (especially children) against possible hazards (e.g. scalding from steam or hot water).
- Never leave the iron down on its soleplate (12) during use. When placing the iron on its stand, ensure that the surface on which the stand is placed is stable.
- Always disconnect the power cable...
 - Before filling the water tank (9) or emptying it.
 - When leaving the iron unattended (even for a short time).
 - Before cleaning.
 - Immediately after use.
- The iron is not to be used if it has been dropped, if there are visible signs of damage or if it is leaking.
- **WARNING! Never iron clothes on the body!**

Before First Use

If necessary, peel any protective foil / plastic wrapping off the soleplate (12).
Wipe the soleplate with a soft cloth.

Operation

Filling the Water Tank

Warning! Before filling the tank make sure the iron is not connected to the mains. Always disconnect the power plug.

In order to avoid calcium build-up, we recommend using distilled water only.

- Set the steam control (4) to - (steam off).
 - Open the water inlet (2).
 - Fill in water (no additives) up to the maximum filling mark indicated on the water tank (9).
 - Close the water inlet (2) again.
- Please note: Empty the water tank (9) after use.*

Connection to the Mains

- Connect the power plug of the appliance to a properly installed and easily accessible wall socket. The temperature pilot light (6) lights up while the iron heats up. It goes out as soon as the iron reaches the preset temperature. You may now start ironing.
- During ironing, the temperature pilot light (6) automatically switches on and off as the iron heats up/reaches the temperature.

Setting the Ironing Temperature

Set the temperature control (10) according to the international textile protection symbols (located on the temperature control (10) and the washing label of the garment).

- Rayon, Acrylic (low temperature)
- Silk, wool (medium temperature)
- Cotton, linen (high temperature)

Pre-sort the laundry if necessary.

Steam Ironing

Please note: The iron works at a constant steam volume, i.e. the steam pressure is always the same regardless of the filling level in the water tank (9).

- Adjust the temperature control (10) to the desired setting.
- Set the steam quantity using the steam control (4).
- If steam escapes the soleplate (12) when the iron is held horizontally, it is ready for steam ironing.
- To steam iron delicate synthetics, set the temperature control (10) to a medium temperature level. Once the temperature pilot light (6) has gone out, set the steam control (4) to the steam setting. Hold the iron horizontally first to see whether steam is produced. Then start ironing (check the setting at a hidden area of the garment). As the steam produces a kind of barrier between the soleplate and the cloth, most textiles are suitable for steam ironing.

Power Steam (horizontally and vertically)

➤ Press the power steam button (3) to generate a powerful burst of steam that can penetrate the fabrics and smooth the most difficult and tough creases. Wait for a few seconds before pressing again.

➤ It is also possible to use the power steam for straightening hanging clothes (vertical shot of steam). Press the power steam button (3) in intervals then.

Please note: If water drips from the soleplate (12), its temperature might be too low. Either increase the temperature or wait a few seconds before pressing the button again to let the soleplate (12) heat up.

Spray

Use the spray function to iron out stubborn creases at any temperature. Simply press the spray button (5), when required. Make sure there is enough water in the water tank (9).

Dry Ironing

For dry ironing, set the steam control (4) to 0 (steam off).

If you put down the iron in an upright position, steam production stops as well.

Self-Cleaning

Regularly clean the steam iron depending on the frequency of use and the local water quality. In case of rather hard water, self-cleaning is recommended at least every 2 weeks.

1. Set the steam control (4) to - (steam off).
2. Set the temperature control (9) to the highest level.
3. Open the water inlet (2) and fill water up to the maximum filling mark into the water tank (9). Close the water inlet (2).
4. Connect the power plug of the iron to the wall socket.
5. Let the iron heat up until the temperature pilot light (6) goes out.
6. Disconnect the power plug.
7. Hold the iron horizontally across a sink.
8. Press the self-clean button (11). Boiling hot water and steam come out of the soleplate (12) washing out any limescale. Sway the iron to and fro to clean surrounding areas of the vents.
9. Set the steam control (4) to - (steam off).
10. Wipe the soleplate (12) on a (preferably) old piece of cloth. Connect the power plug to the wall socket again and let it heat up. Any residual water now evaporates through the soleplate (12).
11. Unplug the appliance and let it cool down before stowing it away.

Storage

After use, unplug the iron and let it cool down.

- Set the temperature control (10) to the lowest level.
- Empty the water tank (9).
- Set the steam control (4) to - (steam off).
- If necessary, wipe the iron with a soft damp cloth.
- Store the iron out of the reach of children and in a clean and dry place.

Useful Advice

- When the iron is used for the first time, some smoke may be generated. This is quite normal and stops shortly after having started ironing.
- Damp clothes are easier to iron than fully dry clothes.
- Before the first use or when the iron has not been used for some time, hold it horizontally and let steam escape for approx. 1 minute. Press the power steam button (3) several times.
- When using spray starch, we recommend wiping the soleplate (12) from time to time to avoid the build-up of any residues.

LIVING & CO[®]



Warranty

We pride ourselves on producing a range of quality home appliances that are both packed with features, and completely reliable.

We are so confident in our products, we pack them up with a 2 year warranty.

Now you too can relax knowing that you are covered.

Customer Helpline NZ: 0800 422 274

This product is covered by a 2 year warranty when Accompanied by proof of purchase.

IM Version 1.0 – March,2020